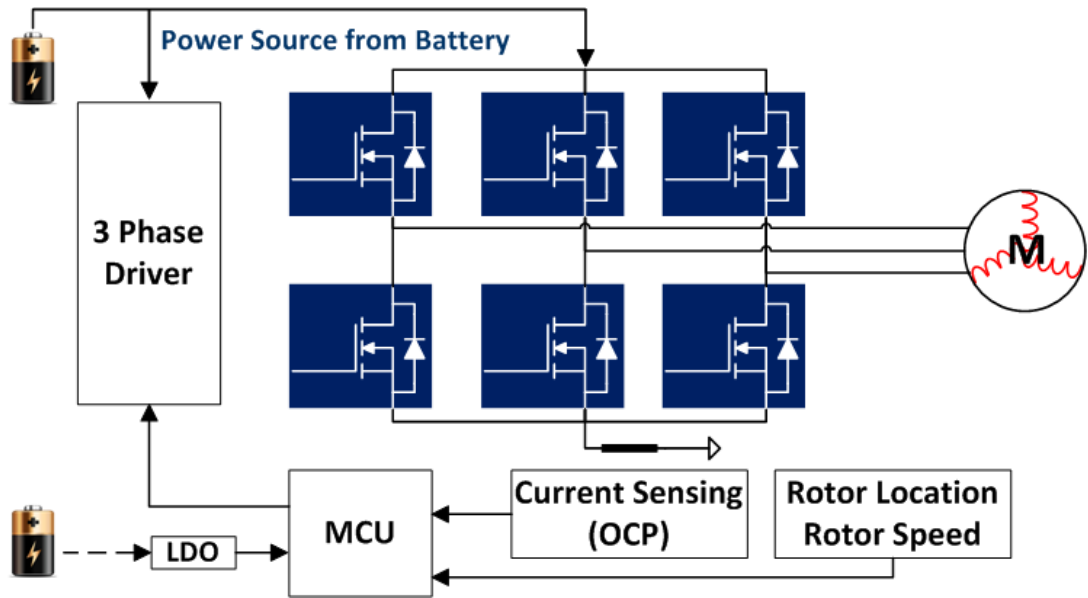




Typical Function Block



TSC MOSFET Specific Characteristics

- ✓ High Surge Current Capability
- ✓ Enhanced Robustness
- ✓ Improved Thermal Performance
- ✓ UL94V-0 grades to flammability
- ✓ High power density with PDFN1012

TSC MOSFET Solution

Suited Nominal Battery Voltage	Part Number	Package	Configuration	Vds (V)	ID (A)	Rds10V (mΩ) max.	SL/LL	Eas (mJ)
7.4~20Vin	TSM018NB03CR *		Single_N Ch.	30	186	1.8	LL	331
	TSM025NB04LCR		Single_N Ch.	40	161	2.5	LL	252
	TSM033NB04LCR		Single_N Ch.	40	121	3.3	LL	173
	TSM025NB04CR		Single_N Ch.	40	161	2.5	SL	228
	TSM033NB04CR		Single_N Ch.	40	121	3.3	SL	194
20~36Vin	TSM045NB06CR		Single_N Ch.	60	104	5	SL	194
	TSM048NB06LCR		Single_N Ch.	60	107	4.8	LL	184
	TSM100NB06CZ *		Single_N Ch.	60	104	5	SL	194
	TSM028NA06DLL **		Dual_N Ch.	60	181	2.8	SL	640

* Will release on 2019-Q2
 ** Will release on 2019-Q3