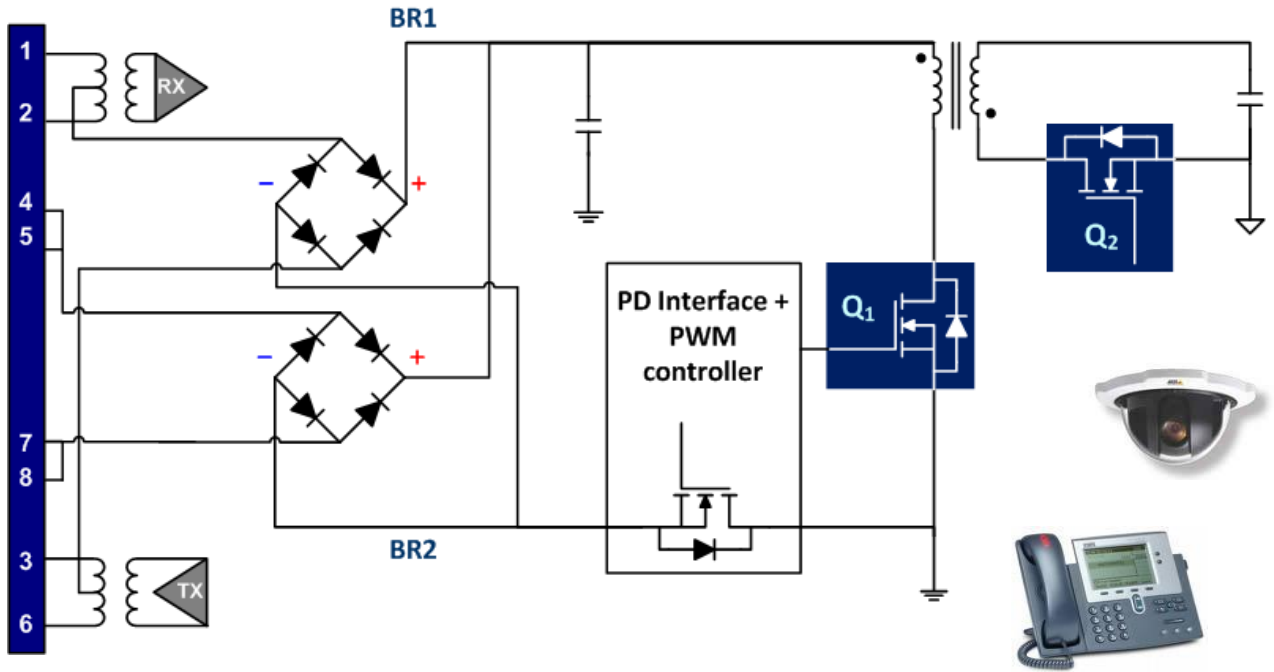




Typical Function Block



TSC MOSFET Specific Characteristics

- ✓ Suitable for 802.3af & at spec.
- ✓ Low Ron to minimize conductive loss
- ✓ Low Qg for fast power switching
- ✓ Operating Junction Temperature Ranges from -55 to 150°C
- ✓ MSL 1 per J-STD-020

TSC MOSFET Solution

Location	Part Number	Package	Vds (V)	ID (A)	Rds10V (mΩ) max.	Qg10V (nC) typ.	Qgd (nC) typ.	Logic Level	Operating Junction Temperature Range
Q1	TSM650N15CS	SOP-8	150	9	65	30	8	N	-55~150°C
	TSM650N15CR	PDFN56	150	24	65	30	8	N	
Q2	TSM038N03PQ33	PDFN33	30	80	3.8	48	24	Y	
	TSM060N03PQ33	PDFN33	30	62	6	25.4	11.1	Y	
	TSM085N03PQ33	PDFN33	30	48	8.5	14.3	7.2	Y	
	TSM036N03PQ56	PDFN56	30	95	3.6	48	24	Y	
	TSM055N03PQ56	PDFN56	30	80	5.5	22.2	5.5	Y	
	TSM080N03PQ56	PDFN56	30	55	8	14.4	7.2	Y	
	TSM180N03PQ33	PDFN33	30	25	18	8.2	4.1	Y	