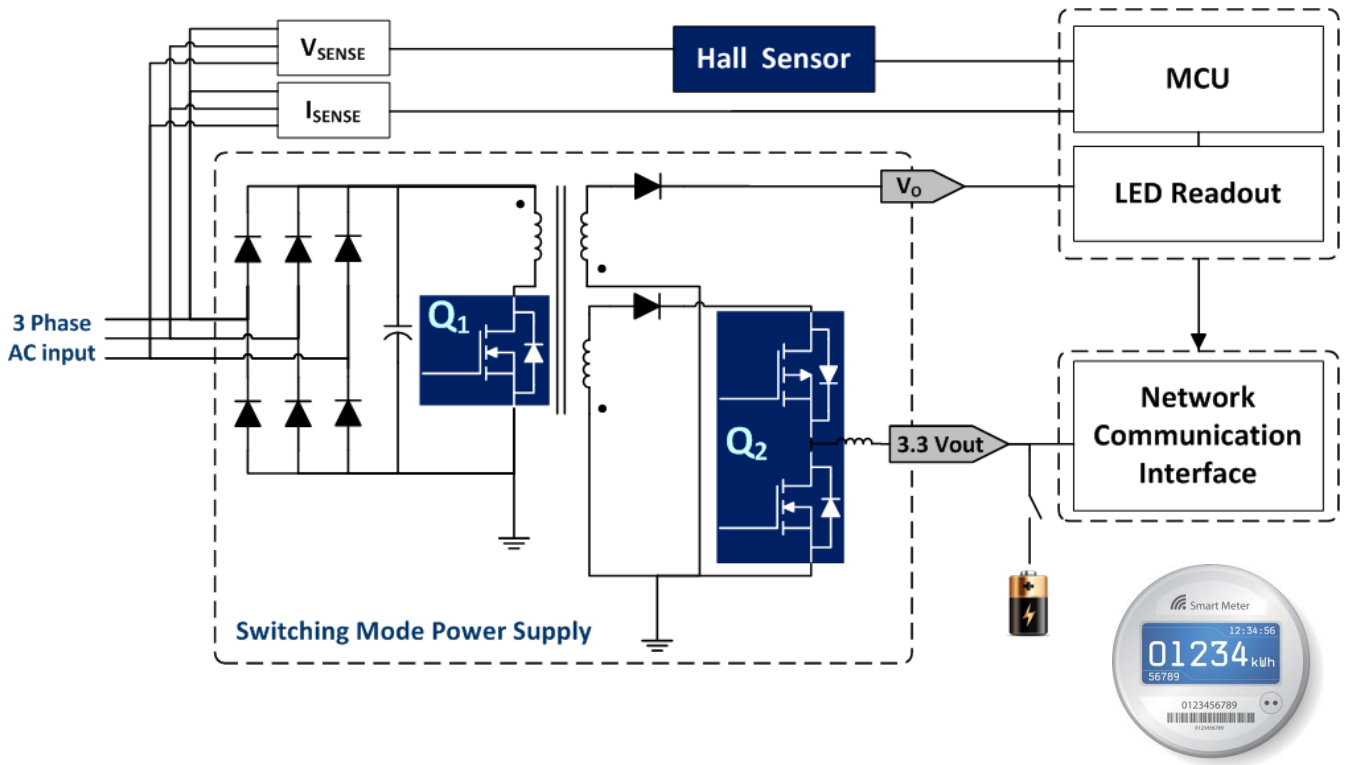




Typical Function Block



TSC MOSFET Solution

Part Number	Package	Type	Vds (V)	Vgs (V)	ID (A)	Rds10V (mΩ) max.	Rds4.5V (mΩ) max.	Qg10V	Qg4.5V	
Q1	TSM2N100CP	TO-252	Single N-Channel	1000	30	2	8.5	-	17	-
	TSM3N100CP	TO-252	Single N-Channel	1000	30	3	6	-	18.5	-
	TSM3N100CI	ITO-220	Single N-Channel	1000	30	3	6	-	18.5	-
	TSM5N100CI	ITO-220	Single N-Channel	1000	30	5	3.7	-	31	-
Q2	TSM8568CS	SOP-8	Complementary N+P Channel	30	20	9.4	0.016	0.02	15	12
				-30	20	-7.9	0.024	0.038	28	17

Part Number	Package	Type	BOP		Supply Voltage (VCC)		Output Current (mA)	Supply Current Typ. (mA)
			Min. (G)	Max. (G)	Min. (V)	Max. (V)		
TSH481CT	TO-92S	Linear	-800	800	3	6.5	10	2.5
TSH248CX	TSOT-23	Omni-Polar	6	60	2.5	3.5	2	2.5