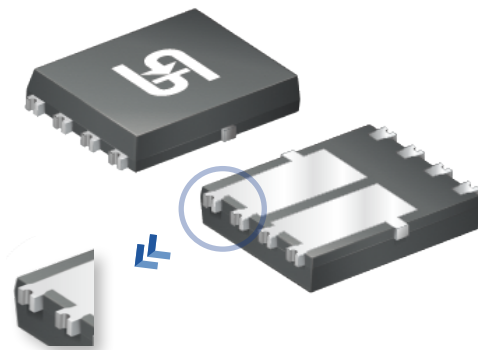
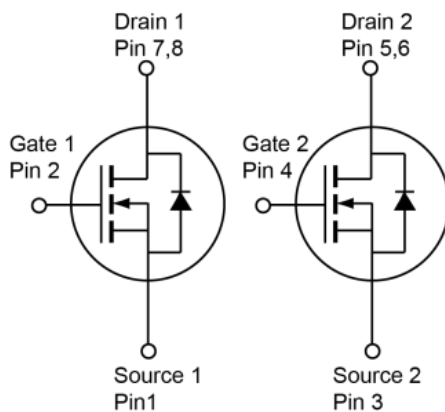


TQM150NB04DCR

AUTOMOTIVE 40V MOSFET, 15M Ω , DUAL N-CANNEL, STANDARD LEVEL, T_J=175°C



This Power MOSFET is designed by the trench technology in a 5x6 mm² package, compatible with conventional PDFN 5x6 packages. The flat lead package is suitable for compact designs with good thermal performance and Wettable Flank lead for Automated Optical Inspection (AOI). This product has been qualified by AEC-Q101 standard to meet the high performance requirements of automotive applications.



**PDFN56U DUAL
WITH WETTABLE FLANK**

KEY FEATURES & ADVANTAGES:

- AEC-Q101 Qualified
- 100% UIS and R_g Tested
- 175°C Operating Junction Temperature
- Wettable Flank
- RoHS Compliant & Halogen-Free

APPLICATION:

- Power Switch for 12V Automotive Systems
- Solenoid and Motor Control
- Automotive Transmission Control
- DC-DC Converters

KEY PERFORMANCE

PART NUMBER	PACKAGE	CHANNEL TYPE	BV _{DSS} [V]	R _{DS(ON)} MAX. @10V [m Ω]	R _{DS(ON)} MAX. @7V [m Ω]	V _{GS(TH)} TYP. [V]	Q _G TYP. @ 10V [nC]	Q _G TYP. @ 7V [nC]	Q _{GS} [nC]	Q _{GD} [nC]	T _J MAX. [°C]	AEC-Q101 QUALIFIED
TQM150NB04DCR	PDFN56U Dual	N	40	15	28.6	2.8	18	13	6	4	175	Yes

For pricing and more information, please contact TSC sales or authorized distributors.