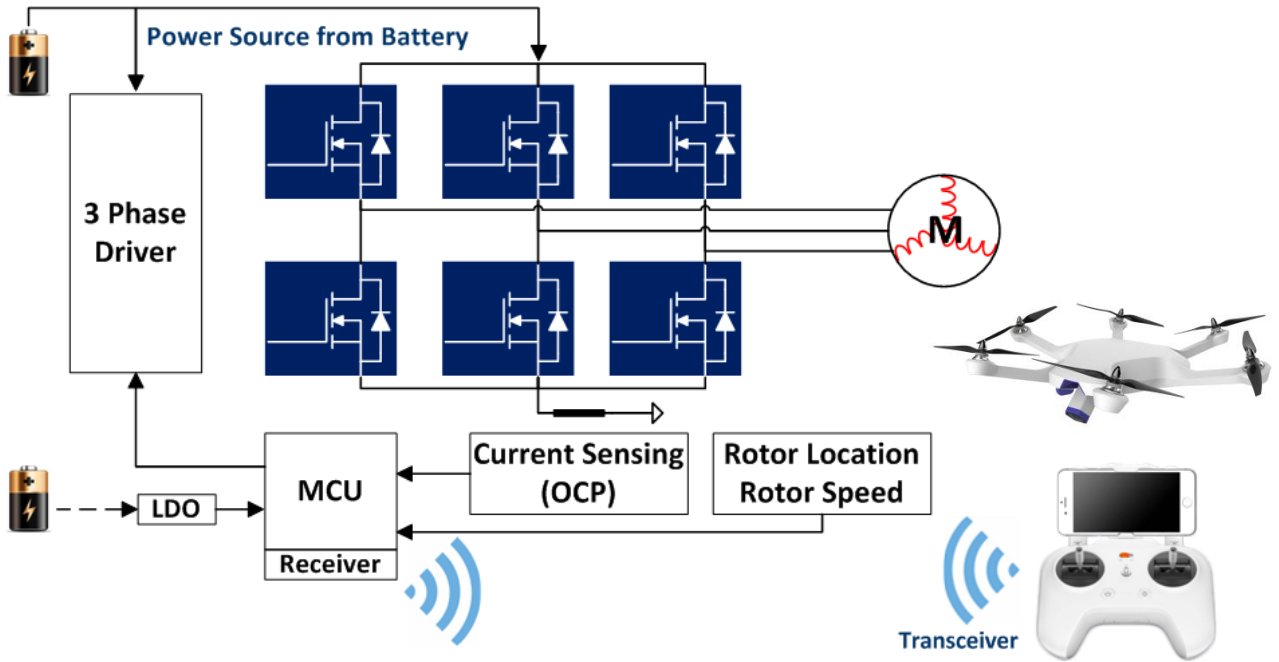




Typical Function Block



TSC MOSFET Specific Characteristics

- ✓ High Surge Current Capability
- ✓ Enhanced Robustness
- ✓ Improved Thermal Performance
- ✓ Logic Level for Design Flexibility
- ✓ UL94V-0 grades to flammability
- ✓ MSL 1 per J-STD-020

TSC MOSFET Solution

Part Number	Package	Configuration	Suited Nominal Battery Voltage	Vds (V)	ID (A)	Rds10V (mΩ) max.	Logic Level	ID(A) continuous current (wire bond limited)
TSM038N03PQ33	PDFN33	N	7.2V 10.8V 14.4V	30	80	3.8	Y	10.8
TSM060N03PQ33	PDFN33	N		30	62	6.0	Y	10.8
TSM085N03PQ33	PDFN33	N		30	48	8.5	Y	10.8
TSM036N03PQ56	PDFN56	N		30	95	3.6	Y	30.5
TSM055N03PQ56	PDFN56	N		30	80	5.5	Y	45.0
TSM080N03PQ56	PDFN56	N		30	55	8.0	Y	45.0
TSM8568CS	SOP-8	N		30	9.4	16	Y	5.4
		P	-30	-7.9	24	Y	5.4	
TSM020N04LCR	PDFN56	N	18.0V 20.0V 21.6V	40	170	2.0	Y	57.6